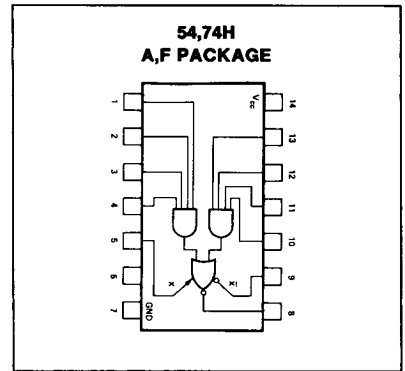
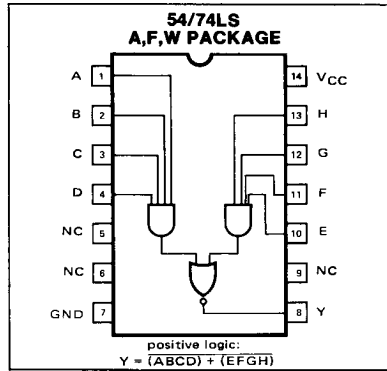


SPEED/PACKAGE AVAILABILITY

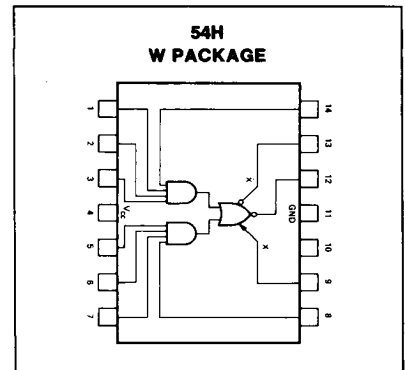
54H F,W 74H A,F
 54LS F,W 74LS A,F

PIN CONFIGURATION



SWITCHING CHARACTERISTICS $V_{CC} = 5V, T_A = 25^\circ C$

| TEST CONDITIONS | 54/74H $C_L = 25pF$ $R_L = 280\Omega$ EXPANDER PINS ARE OPEN | | | 54/74LS $C_L = 15pF$ $R_L = 2k\Omega$ | | | UNIT |
|---|--|----------------------------|-----|---|------------|-----|------|
| | MIN | TYP | MAX | MIN | TYP | MAX | |
| Propagation delay time t_{PLH} Low-to-high | | 7 $C_X = 15pF$ 11.4 | 11 | | 12 20 | | ns |
| t_{PHL} High-to-low | | 6.5 $C_X = 15pF$ 7.7 | 11 | | 11.5 20 | | ns |



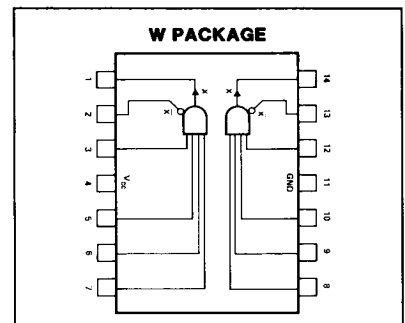
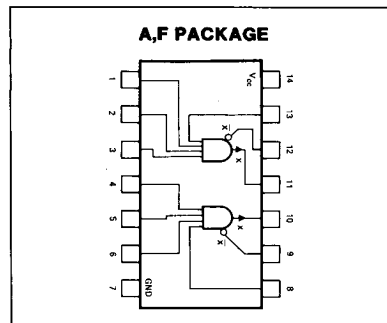
Load circuit and typical waveforms are shown at the front of section.

10101

SPEED/PACKAGE AVAILABILITY

54 F,W 74 A,F
 54H F,W 74H A,F

PIN CONFIGURATION



synetics

SWITCHING CHARACTERISTICS $V_{CC} = 5V, T_A = 25^\circ C$

| TEST CONDITIONS | | | 54/74 | | | 54/74H | | | UNIT |
|---|------------|--------------------------------|-----------------------------------|-----|-----|--------|-----|-----|------|
| | | | $C_L = 15pF$ $R_L = 400\Omega$ | | | MIN | TYP | MAX | |
| PARAMETER | FROM INPUT | TO OUTPUT | MIN | TYP | MAX | MIN | TYP | MAX | UNIT |
| Propagation delay time t_{PLH} Low-to-high | | through 54/7450, 54/7453 | | 15 | 30 | | N/A | | ns |
| t_{PHL} High-to-low | | | | 10 | 20 | | N/A | | ns |

Load circuit and typical waveforms are shown at the front of section.

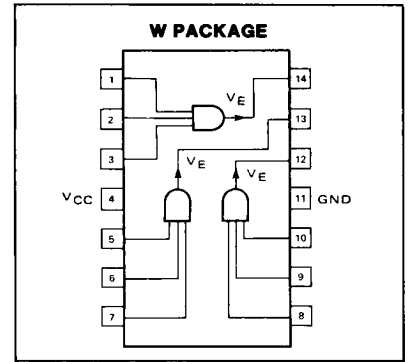
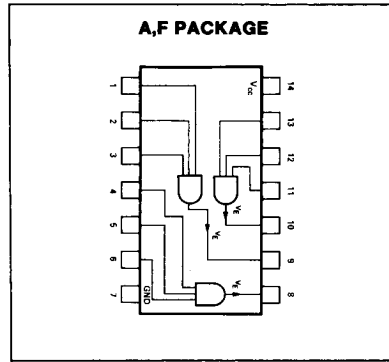
TRIPLE 3-INPUT EXPANDER

(FOR USE WITH 54/74H52)

SPEED/PACKAGE AVAILABILITY

54H F,W 74H A,F

PIN CONFIGURATION



3-2-2-3-INPUT AND-OR EXPANDER

(FOR USE WITH 54/74H50, 54/74H53, 54/74H55)

SPEED/PACKAGE AVAILABILITY

54H F,W 74H A,F

PIN CONFIGURATION

